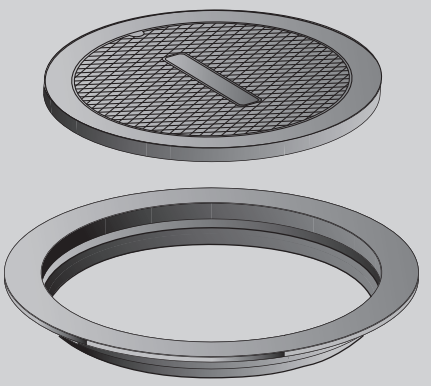


**ALUMINUM MANHOLE RING AND COVER IMH-225-28 AL**

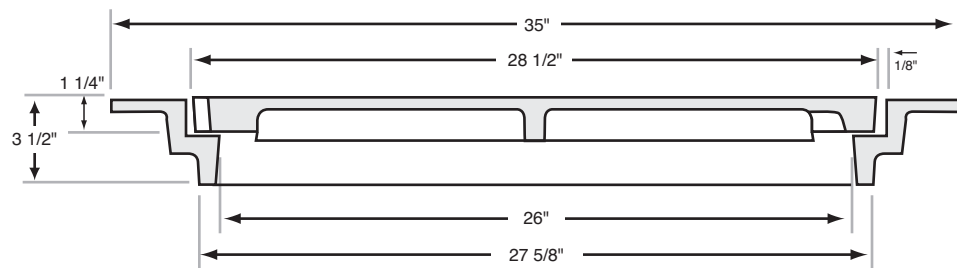
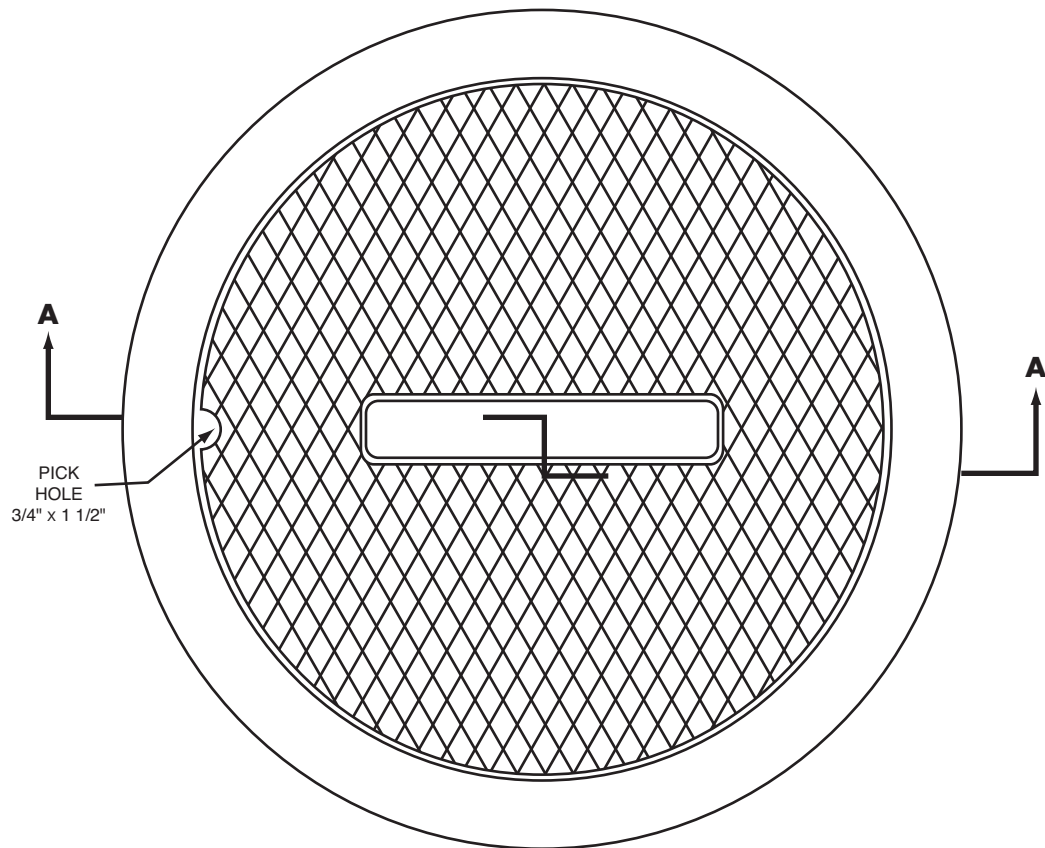


**IMH22528AL**

**APPROXIMATE WEIGHT**

**COVER 50 lb**  
**RING 35 lb**

**NOTES:**  
**NAMEPLATES—OPTIONAL**  
**AVAILABLE WITH BOLT DOWN & GASKET**



SECTION A-A

