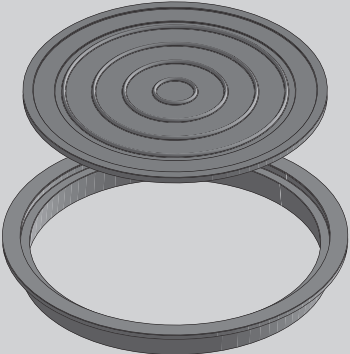


**ALUMINUM**

**MANHOLE RING AND COVER**

**IMH-530-38 AL**

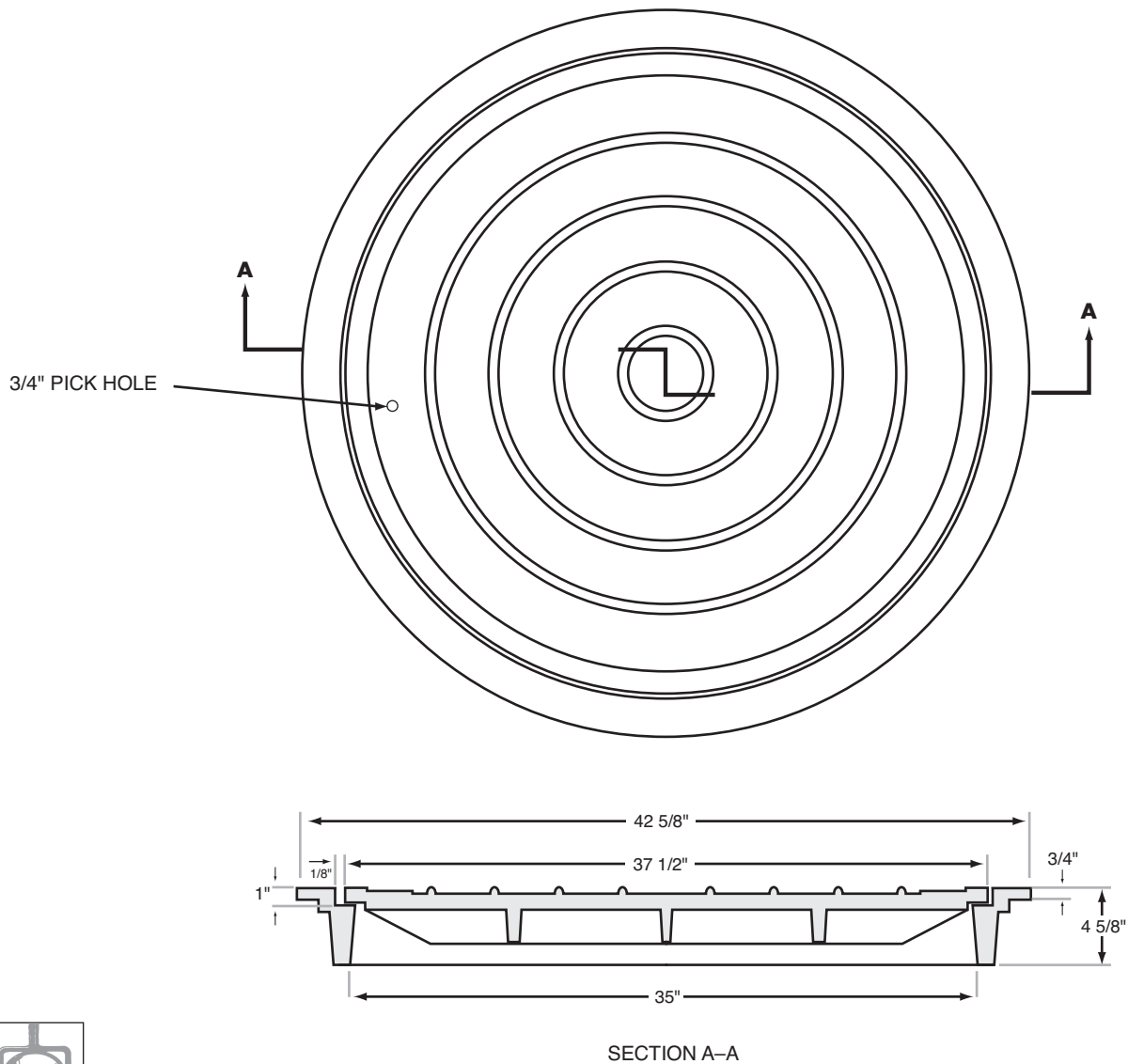


**APPROXIMATE WEIGHT** **IMH53038AL**

**COVER** 105 lb  
**RING** 75 lb

**H-20 RATED**

**NOTES:**  
**NAMEPLATES—OPTIONAL**  
**AVAILABLE WITH BOLT DOWN & GASKET**



**CASTINGS INC.**

860 4TH AVE. • P.O. BOX 669 • GRAND JCT, CO 81502 • 970.243.2032 • FAX 970.242.4962