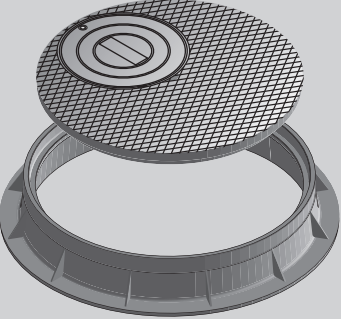


ALUMINUM

MANHOLE RING AND COVER

MH-620-50 AL

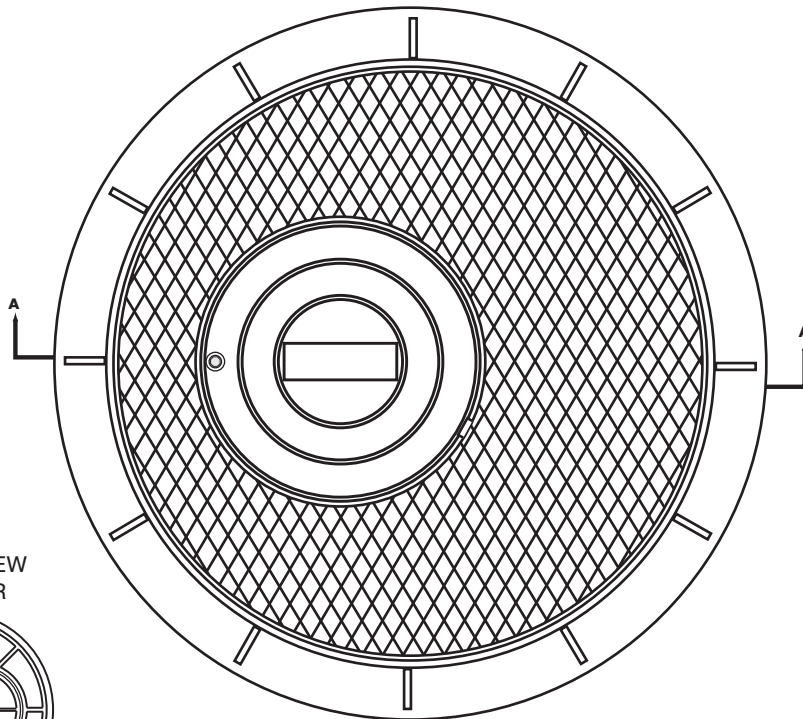


MH62050AL

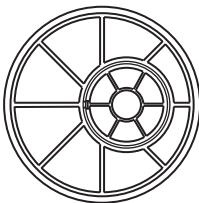
APPROXIMATE WEIGHT

LARGE COVER	325 lb
SMALL COVER	51 lb
RING	245 lb

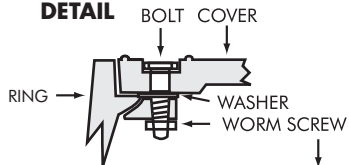
NOTES:
NAMEPLATES—OPTIONAL
AVAILABLE WITH BOLT DOWN & GASKET



BOTTOM VIEW OF COVER



LOCK ASSEMBLY DETAIL



SHOWN WITH OPTIONAL LOCK ASSEMBLY

