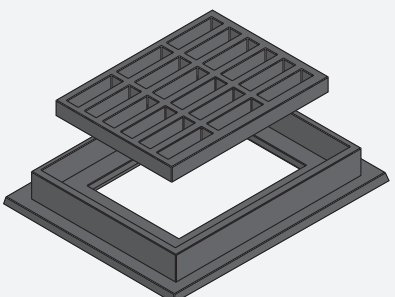


CAST IRON

INLET FRAME & GRATE

IFG-1927 C.I.

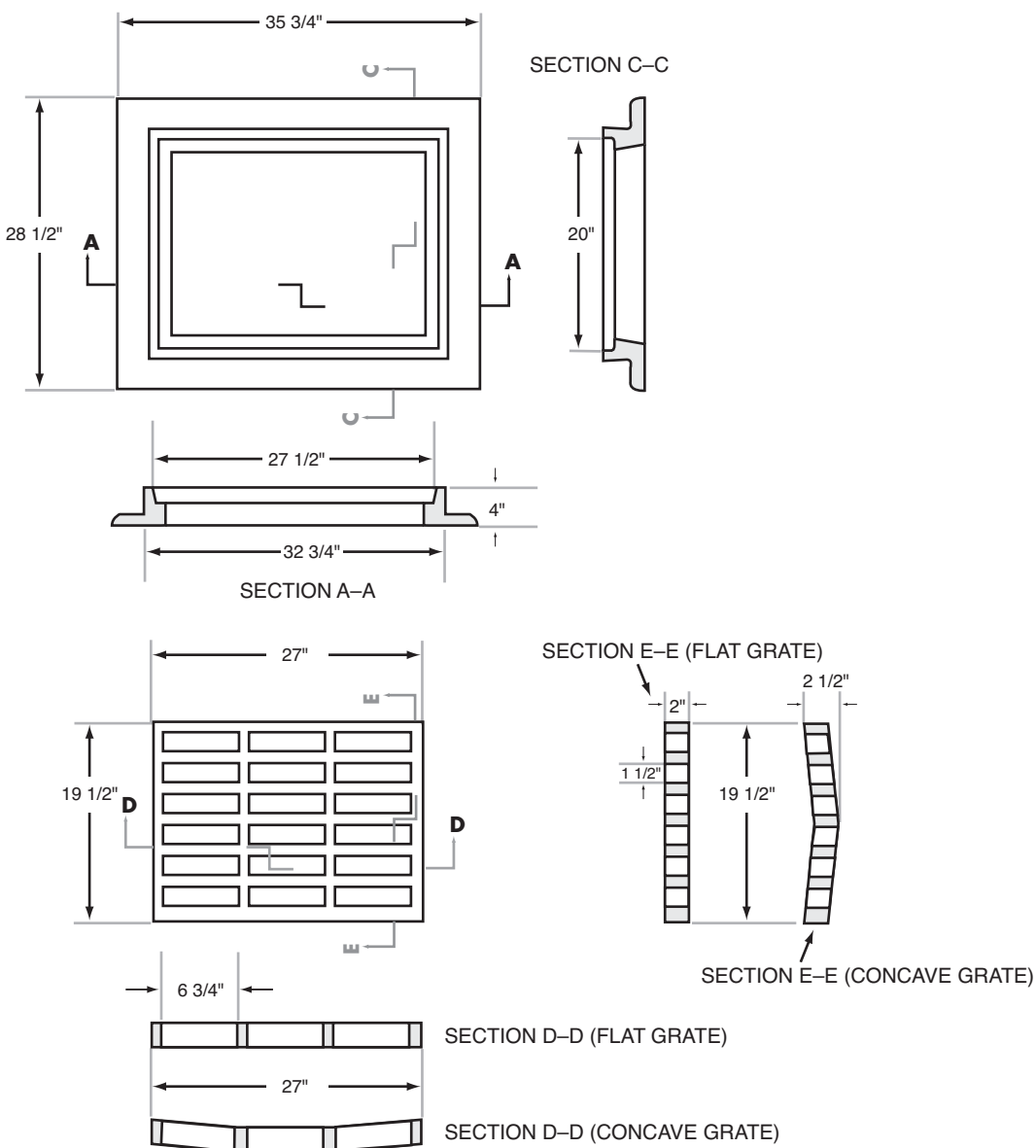


IFG1927CI

APPROXIMATE WEIGHT

FRAME	190 lb
GRATE FLAT	169 lb
GRATE CONCAVE	182 lb

NOTE:
FINISH—BLACK BITUMINOUS PAINT



CASTINGS INC.

860 4TH AVE. • P.O. BOX 669 • GRAND JCT, CO 81502 • 970.243.2032 • FAX 970.242.4962