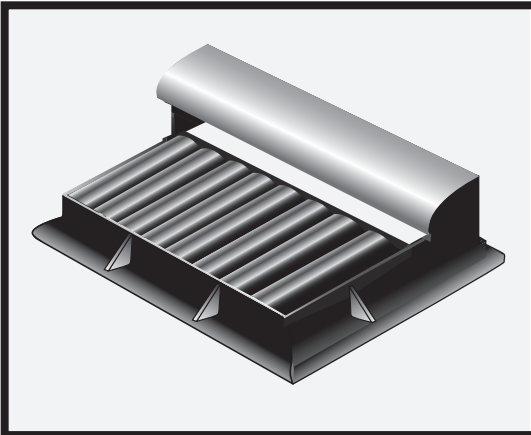


CAST IRON INLET FRAME & GRATE WITH CURB BOX IFG-3246-V C.I.

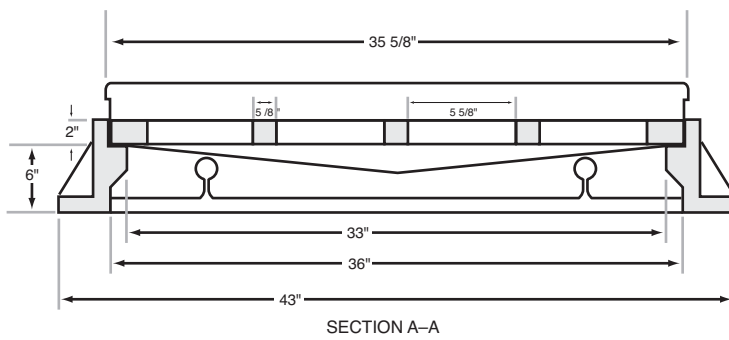
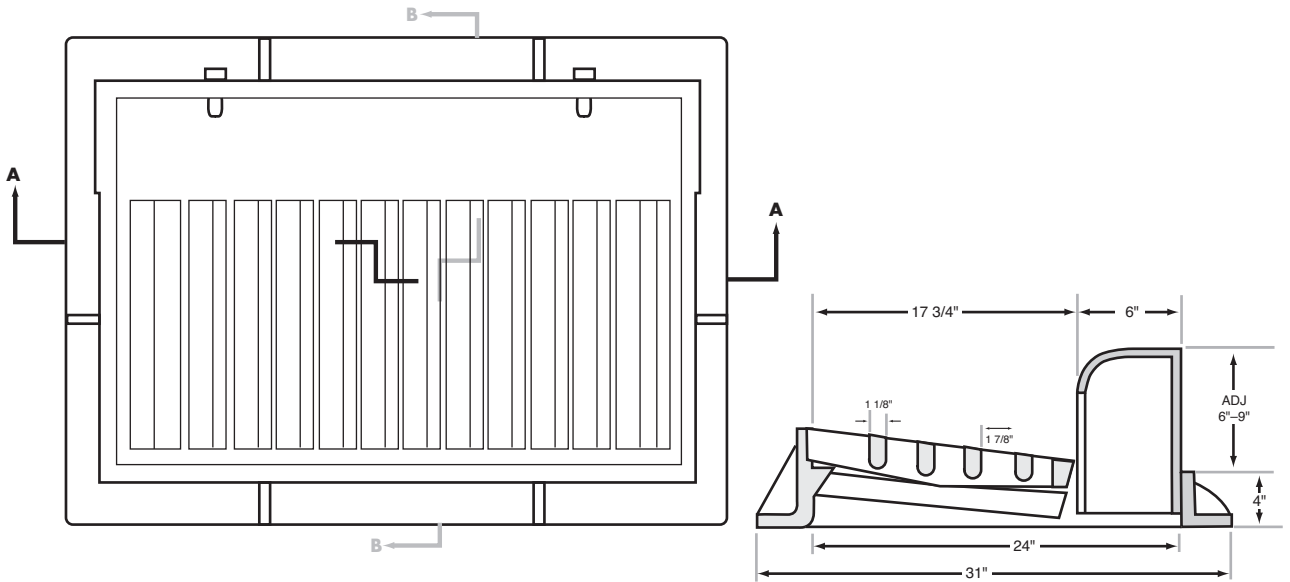


IFG3246VCI

APPROXIMATE WEIGHT

FRAME 200 lb
GRATE 152 lb
CURB BOX 82 lb

NOTE:
FINISH—BLACK BITUMINOUS PAINT



TYPE V GRATE
 VANE GRATE

Optional Drive Over Curb Box

Item: IFG3246VDOCI

