

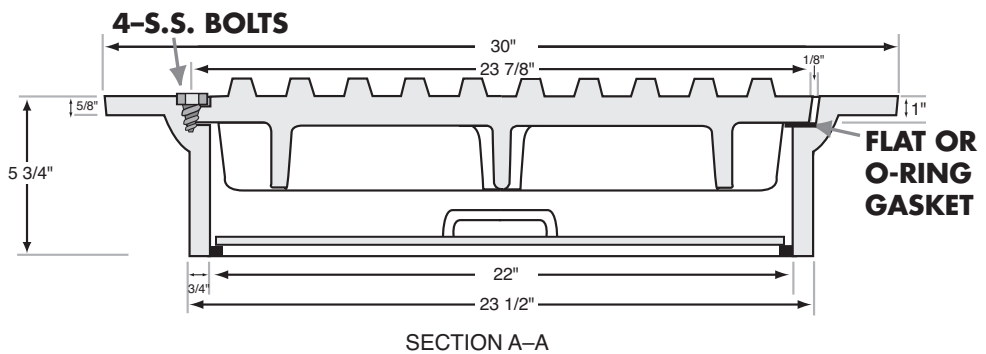
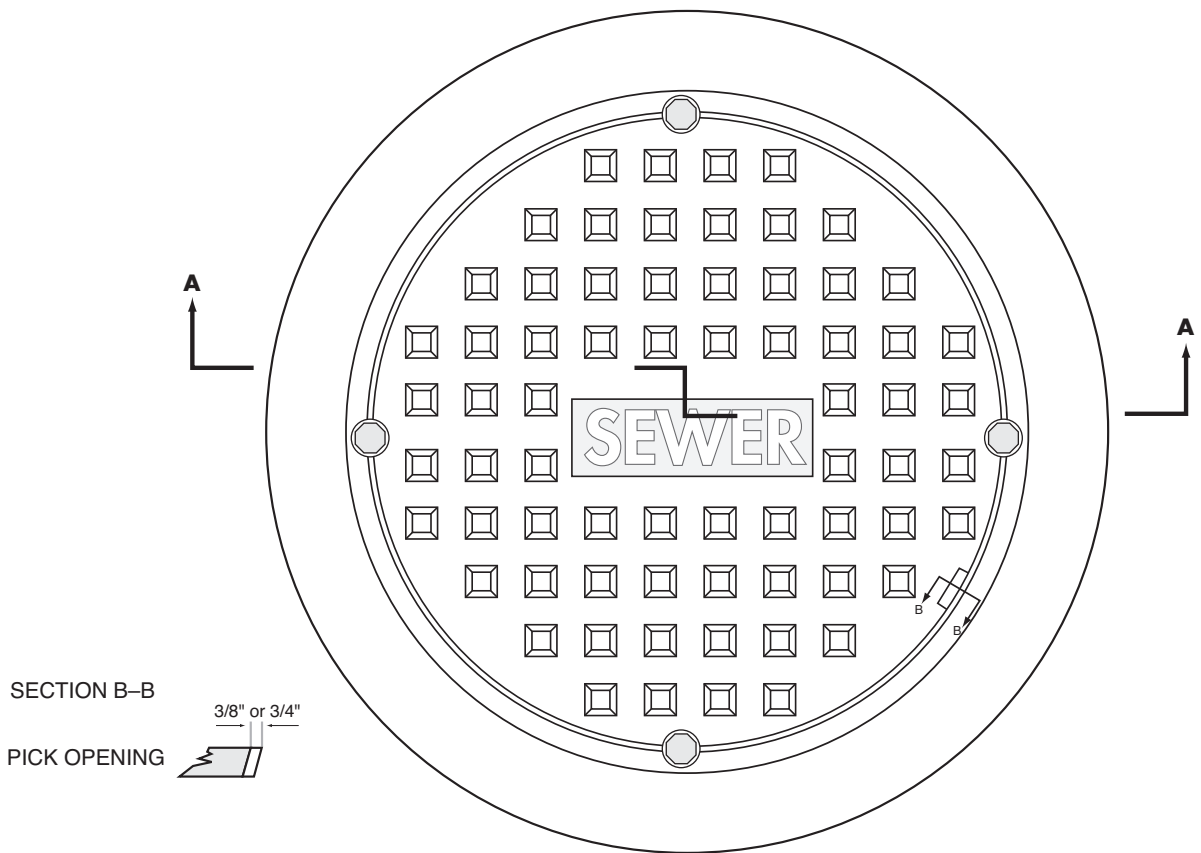
**CAST IRON MANHOLE RING AND COVER IMH-250-24 FROST PROOF/BOLT DOWN C.I.**

**IMH25024CIFPB**

**APPROXIMATE WEIGHT**

**COVER B 134 lb**  
**COVER D 120 lb**  
**RING 115 lb**  
**FROST LID 13 lb (aluminum)**  
**CLASS 35**

**NOTES:**  
**NAMEPLATES—CAST AS PER REQUIRED**  
**MACHINING—LID & RING SEAT**  
**FINISH—BLACK BITUMINOUS PAINT**



**CASTINGS INC.**

860 4TH AVE. • P.O. BOX 669 • GRAND JCT, CO 81502 • 970.243.2032 • FAX 970.242.4962