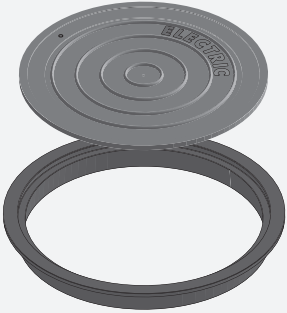


CAST IRON

MANHOLE RING AND COVER

IMH-530-38 C.I.

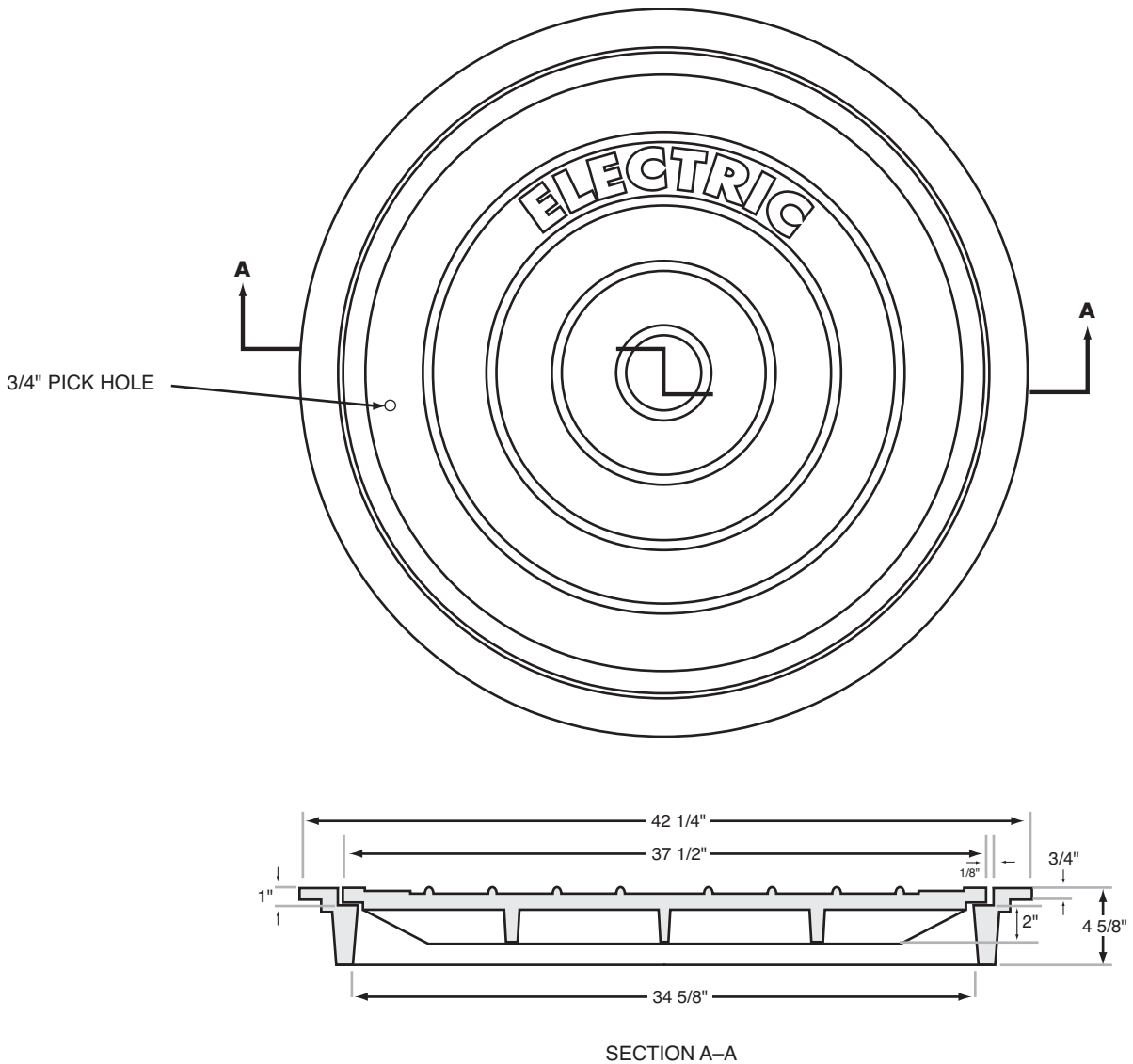


IMH53038CI

APPROXIMATE WEIGHT

COVER 265 lb
RING 180 lb

NOTES:
NAMEPLATES—CAST AS PER REQUIRED
MACHINING—LID & RING SEAT
FINISH—BLACK BITUMINOUS PAINT



CASTINGS INC.

860 4TH AVE. • P.O. BOX 669 • GRAND JCT, CO 81502 • 970.243.2032 • FAX 970.242.4962