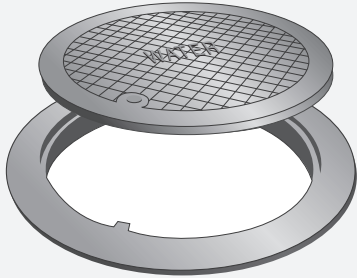


CAST IRON

MANHOLE RING AND COVER

IMH5016-IMH7522



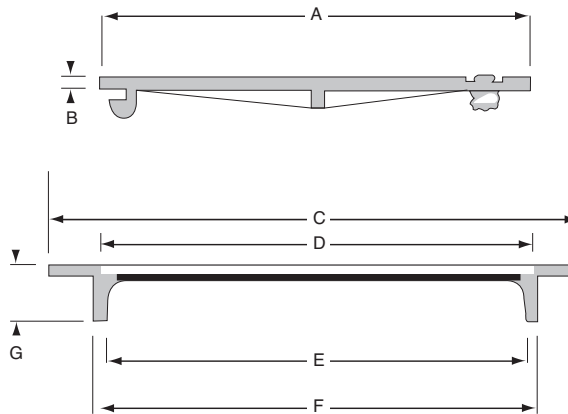
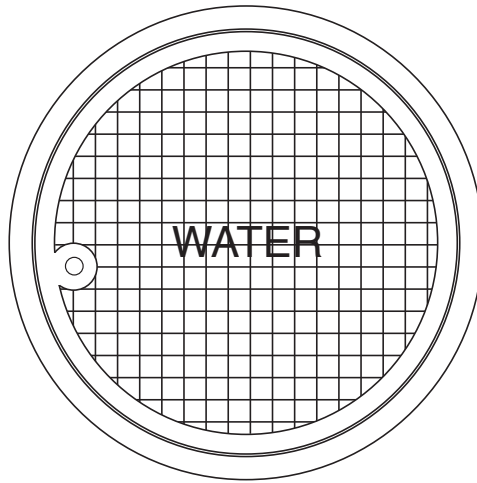
APPROXIMATE WEIGHT

**IMH 5016
IMH 7522**

NOTES: FINISH—BLACK BITUMINOUS PAINT

OPTIONAL 2" HOLE

**18" Ring - 37#
Lid - 30#
20" Ring - 43#
Lid - 34#**



Catalog #	Dimensions in Inches						
	A	B	C	D	E	F	G
IMH5016	16-1/2"	1/2"	20-1/4"	16-5/8"	16-1/8"	17"	3"
IMH7522	18-1/2"	1/2"	22-1/2"	18-1/2"	18-1/8"	19-1/4"	3"

