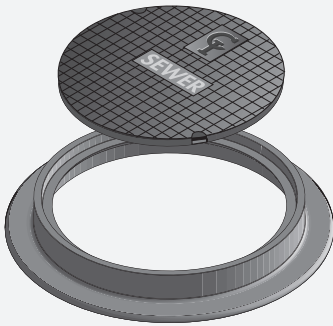


CAST IRON

MANHOLE RING AND COVER

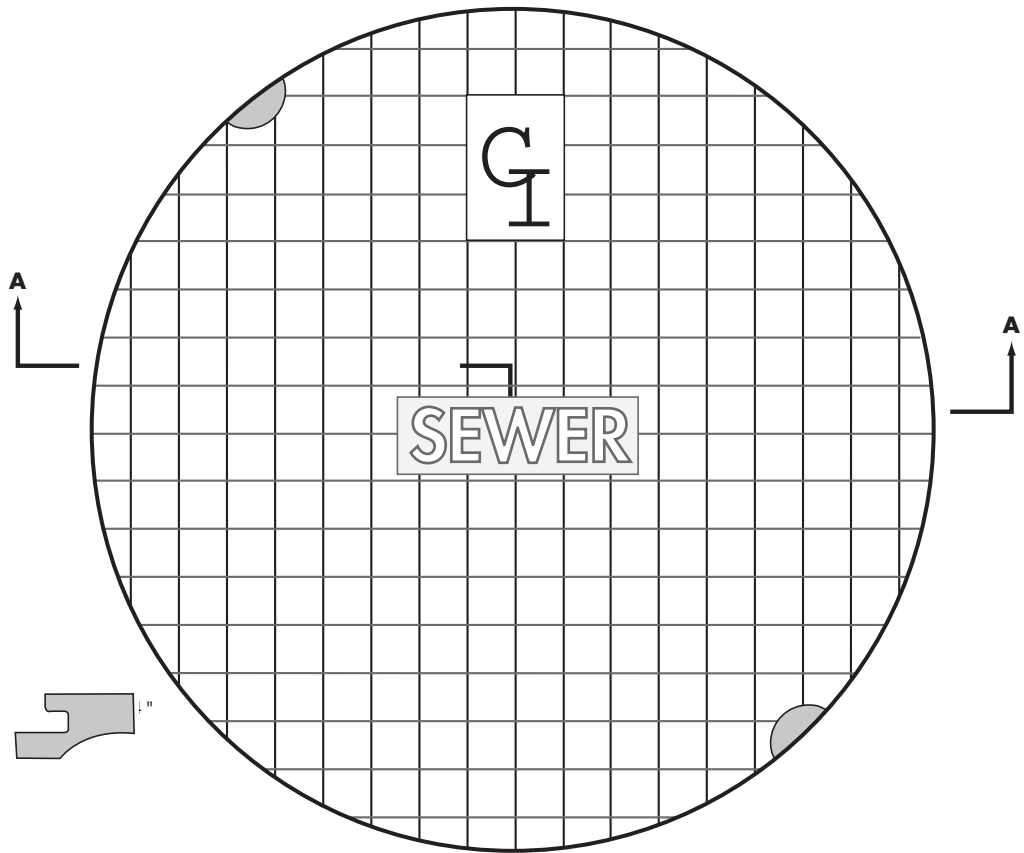
MH-310-24 C.I.



APPROXIMATE WEIGHT

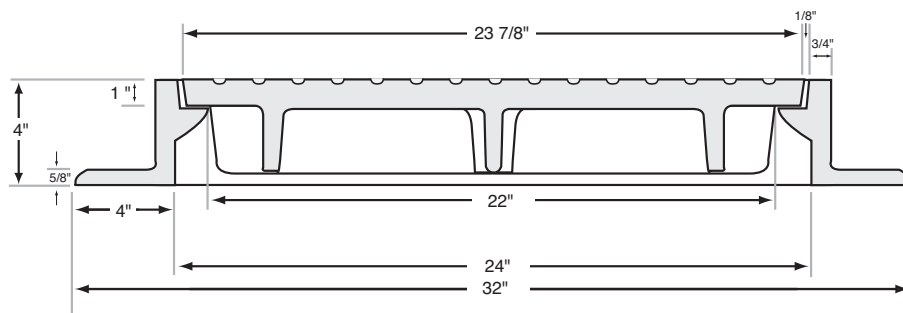
COVER B 132 lb Waffle Design
COVER D 100 lb Waffle Design
RING 130 lb

NOTES:
AVAILABLE AS SELF-SEALING
NAMEPLATES—CAST AS PER REQUIRED
MACHINING—LID & RING SEAT
FINISH—BLACK BITUMINOUS PAINT
CLASS 35



SECTION B-B

PICK OPENING



SECTION A-A



CASTINGS INC.

860 4TH AVE. • P.O. BOX 669 • GRAND JCT, CO 81502 • 970.243.2032 • FAX 970.242.4962