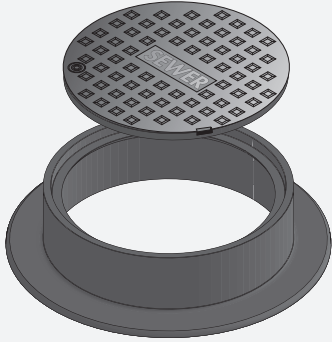


CAST IRON

MANHOLE RING AND COVER

MH-400-24 C.I.



APPROXIMATE WEIGHT

MH40024CI

CLASS 35

COVER 134 lb

RING 183 lb

NOTES:

NAMEPLATES—CAST AS PER REQUIRED

MACHINING—LID & RING SEAT

FINISH—BLACK BITUMINOUS PAINT

CLASS 35

