

**CAST IRON**

**MANHOLE RING & SOLID COVER**

**IMH-550-30-R-C.I.**



**APPROXIMATE WEIGHT**

**IMH55030RCI**

**NOTES**

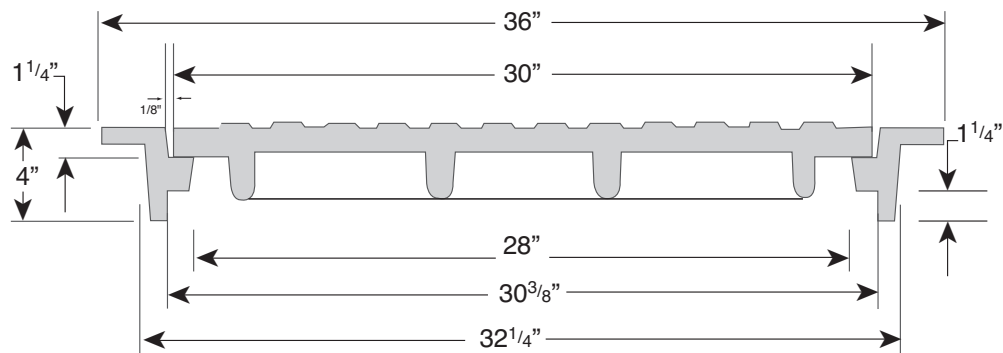
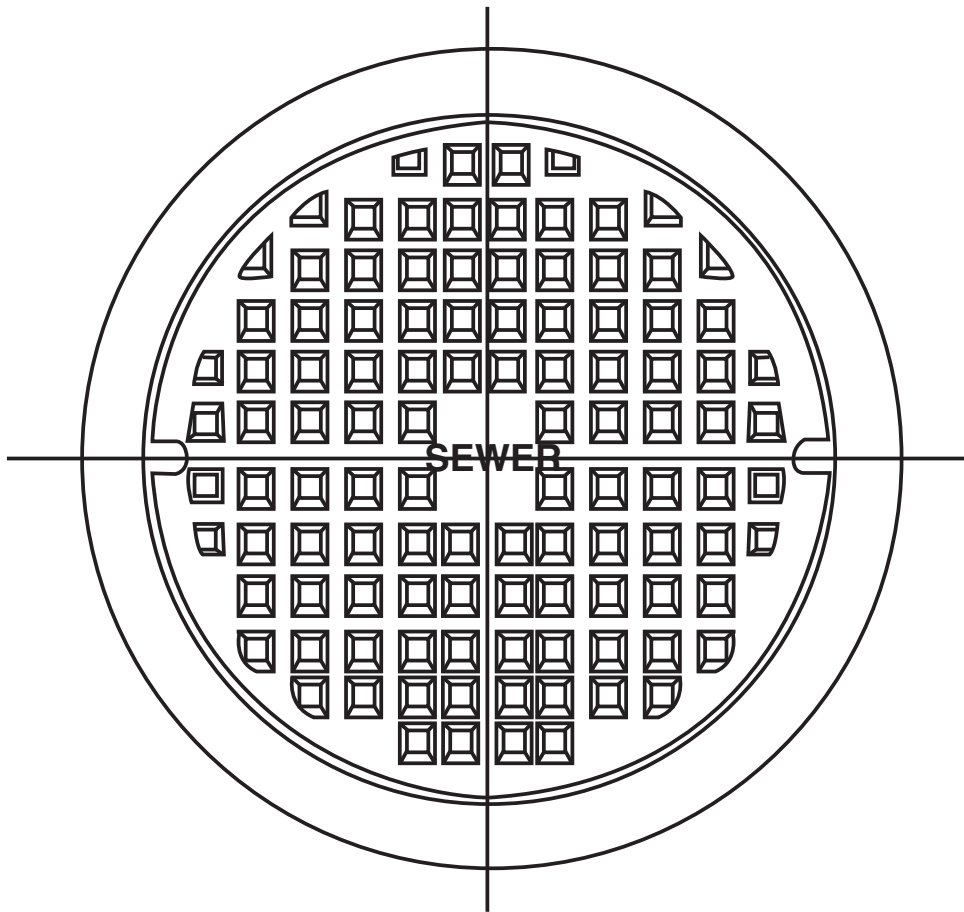
**COVER 237 lb**

**RING 164 lb**

**FURNISHED WITH MACHINED HORIZONTAL BEARING SURFACES.**

**MANHOLE RING IS REVERSIBLE AND MAY BE INSTALLED WITH FLANGE UP OR DOWN.**

**FURNISHED STANDARD WITH LETTERING AS ILLUSTRATED, SPECIFY IF OTHER LETTERING IS REQUIRED.**



**CASTINGS INC.**

860 4TH AVE. • P.O. BOX 669 • GRAND JCT, CO 81502 • 970.243.2032 • FAX 970.242.4962