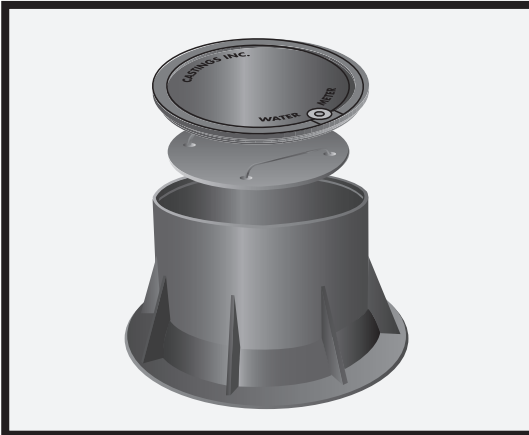


CAST IRON **METER PIT COVER** **CI-70-16-CI**



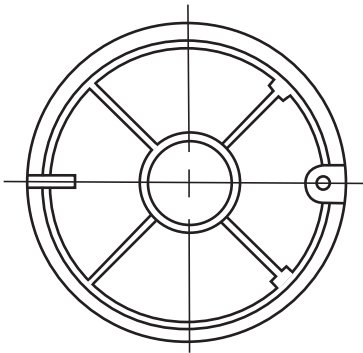
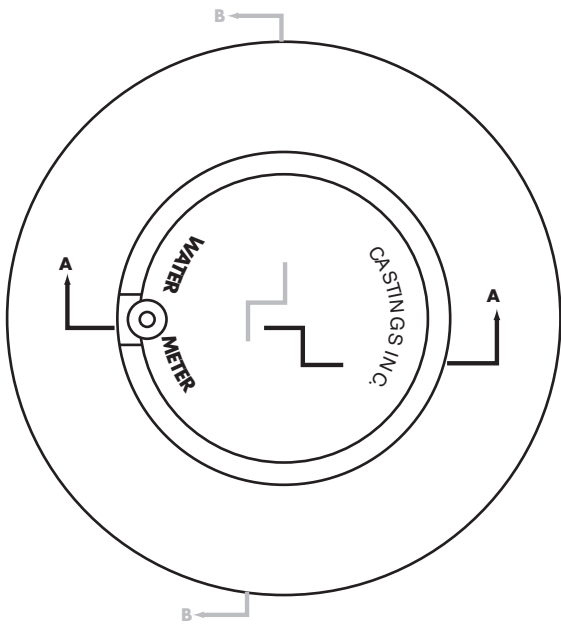
APPROXIMATE WEIGHT

CI7016

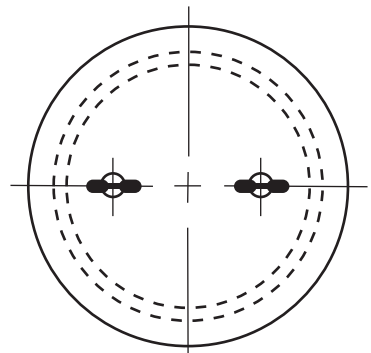
TOP LID	31 LB.	CI7016TL
FROST LID	13 LB.	CI7016IL
BODY	77 LB.	CI7016B

NOTE:
FINISH—BLACK BITUMINOUS PAINT
NAMEPLATE—WATER METER
IRRIGATION

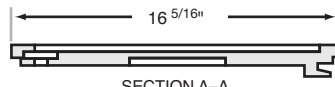
H2O RATAED
OPTIONAL 2" HOLE



BOTTOM OF COVER



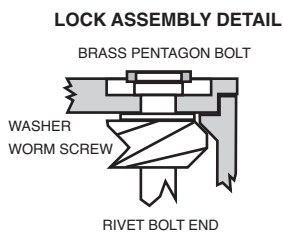
FROST COVER PLAN



SECTION A-A



FROST COVER SECTION

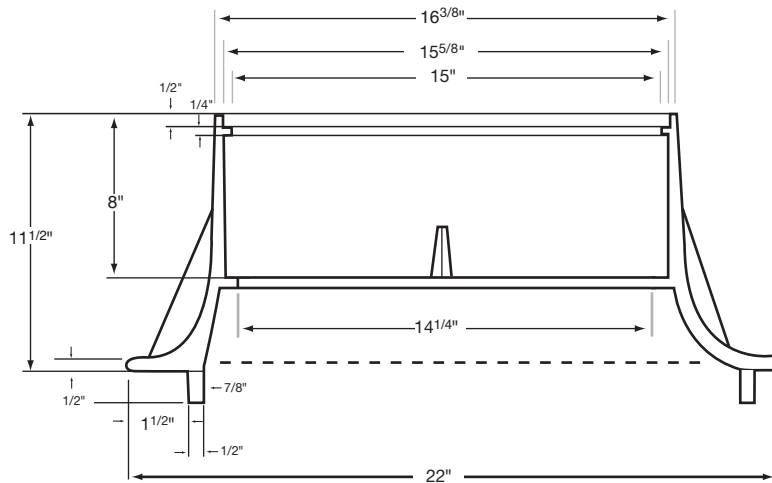


LOCK ASSEMBLY DETAIL

BRASS PENTAGON BOLT

WASHER
WORM SCREW

RIVET BOLT END



SECTION B-B

