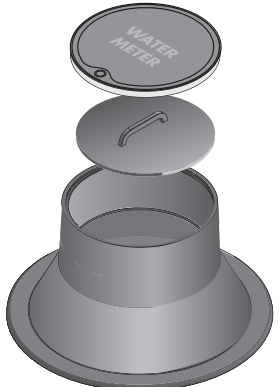


**CAST IRON**

**METER PIT COVER**

**W32 - RECESSED**



**APPROXIMATE WEIGHT**

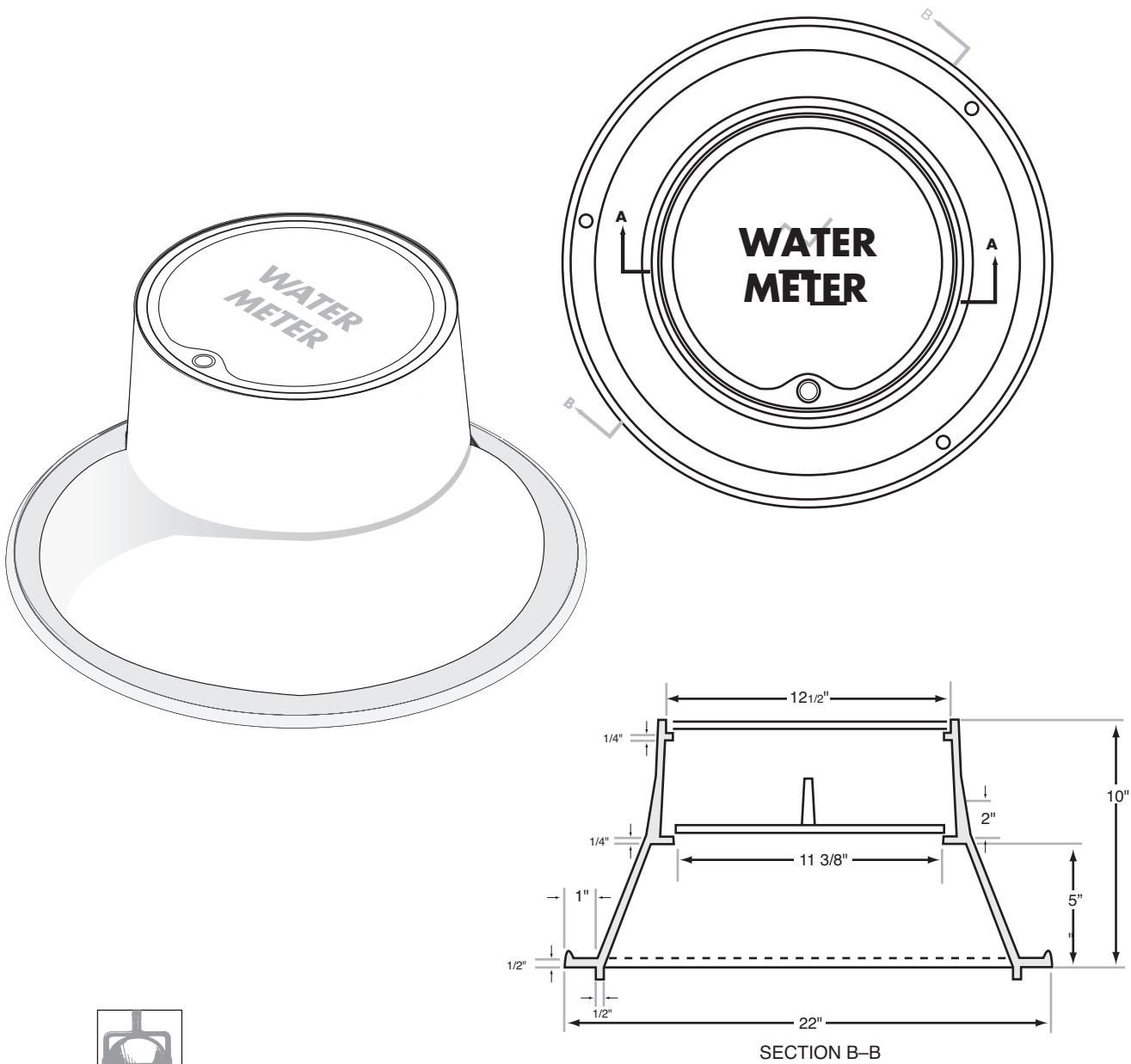
<b>TOP LID</b>	<b>10 lb</b>	<b>W32TLCI</b>
<b>INNER LID</b>	<b>7 lb</b>	<b>W32ILCI</b>
<b>BODY</b>	<b>50 lb</b>	<b>W32B20CI</b>

**H-20 RATED HEAVY DUTY LID 21 lb W32TLHCI**

**OPTIONAL 2" HOLE IN TOP LID**  
**OPTIONAL - PLASTIC INNER LID 2" OR 3"**  
**INLP 2" INLP 3"**

**NOTE:**  
**FINISH—BLACK BITUMINOUS PAINT**

**W32CI**



**CASTINGS INC.**

860 4TH AVE. • P.O. BOX 669 • GRAND JCT, CO 81502 • 970.243.2032 • FAX 970.242.4962