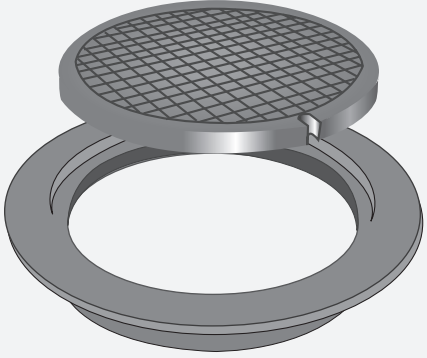


CAST IRON REVERSABLE MANHOLE RING AND COVER IMH5050R C.I.



IMH5050RCI

APPROXIMATE WEIGHT

COVER 50 lb
RING 60 lb

NOTES:
MACHINING—LID & RING SEAT
FINISH—BLACK BITUMINOUS PAINT
REVERSIBLE RING

