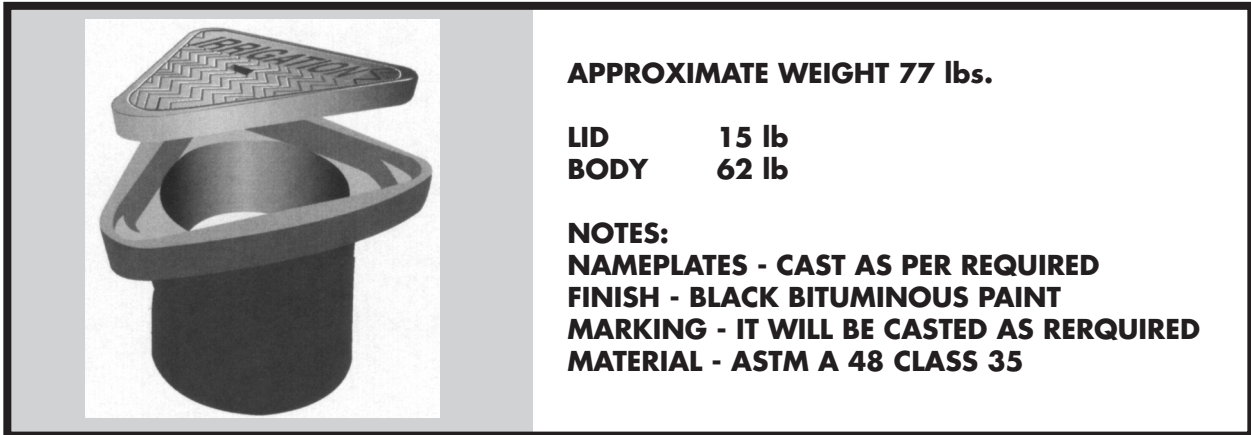


CAST IRON

VALVE BOX

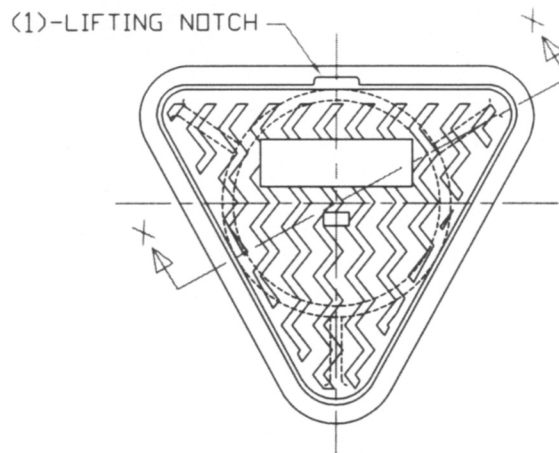
MODEL 4TCI26S



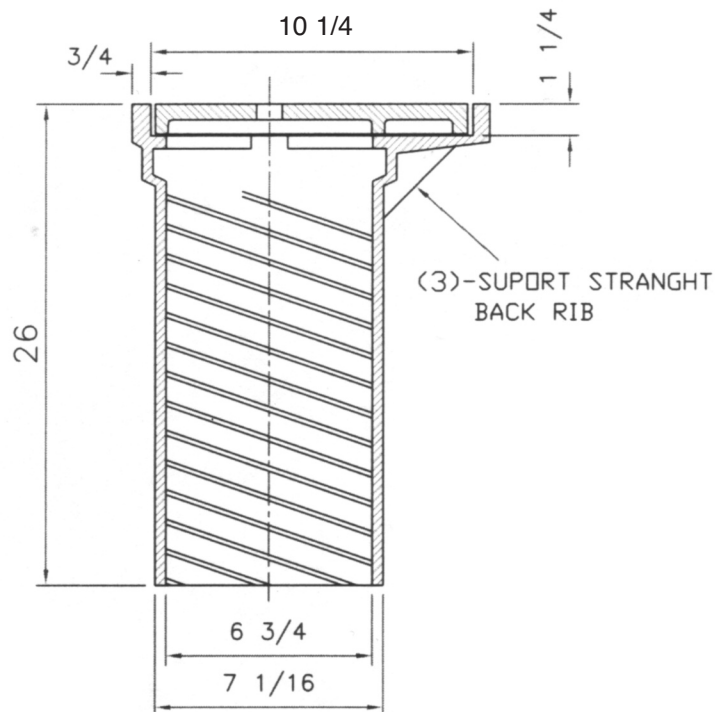
APPROXIMATE WEIGHT 77 lbs.

LID 15 lb
BODY 62 lb

NOTES:
NAMEPLATES - CAST AS PER REQUIRED
FINISH - BLACK BITUMINOUS PAINT
MARKING - IT WILL BE CASTED AS RERQUIRED
MATERIAL - ASTM A 48 CLASS 35



PLAN



SECTION-XX.



CASTINGS INC.

860 4TH AVE. • P.O. BOX 669 • GRAND JCT, CO 81502 • 970.243.2032 • FAX 970.242.4962