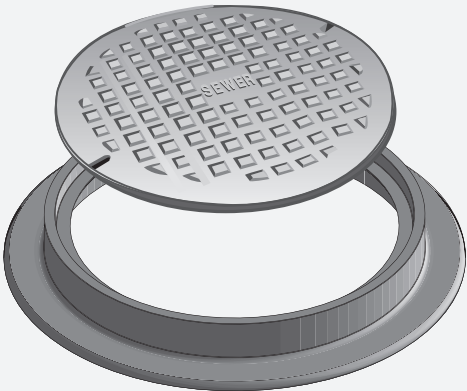


CAST IRON

MANHOLE RING & SOLID COVER

MH-550-30-R-C.I.



APPROXIMATE WEIGHT **MH55030RCI**

NOTES	COVER	255 lb
	RING	165 lb

FURNISHED WITH MACHINED HORIZONTAL BEARING SURFACES.
MANHOLE RING IS REVERSIBLE AND MAY BE INSTALLED WITH FLANGE UP OR DOWN.
FURNISHED STANDARD WITH LETTERING AS ILLUSTRATED, SPECIFY IF OTHER LETTERING IS REQUIRED.
CLASS 35

