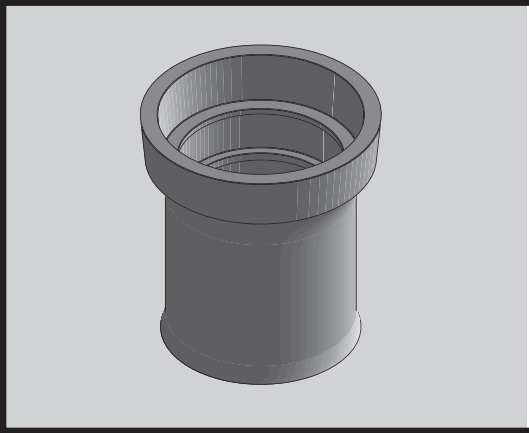


ALUMINUM VALVE BOX TOP VBT SLIP AL



APPROXIMATE WEIGHT

IPS PVC/SLIP 10"	8 lb	VBTA10AL
IPS PVC/SLIP 16"	11 lb	VBTA16AL

NOTES:
NAMEPLATES—CAST AS PER REQUIRED
MACHINING—LID & RING SEAT

